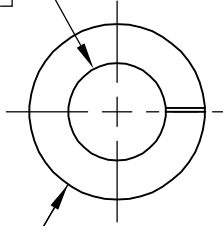


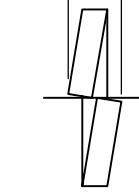
LOC	DIST	REVISIONS					
GP	00	P	LTR	DESCRIPTION	DATE	DWN	APVD
		0		RELEASED PER EC OS13-0207-05	30JUN05	RR	JG

$\varnothing 3.25 \pm 0.15$
[.128 ± .006]



$\varnothing 6.20$ MAX
[.244]

1.75 ± 0.15
[.069 ± .006]



0.81 ± 0.10
[.032 ± .004]



- 1 ZINC PLATED .000200-.000400 THICK, YELLOW CHROMATE COATING.
- 2 ZINC PLATED .000200-.000400 THICK, CLEAR CHROMATE COATING.

THIS DRAWING IS UNPUBLISHED.

ALL RIGHTS RESERVED.

COPYRIGHT BY TYCO ELECTRONICS CORPORATION.

2	5750733-3
1	5750733-2
FINISH	PART NO

DIMENSIONS: mm [INCHES]	DWN R.RICHARDSON	30JUN05	MATERIAL CARBON STEEL	FINISH -	
	CHK C.ROHDE	30JUN05	 Tyco Electronics Corporation Harrisburg, Pa 17105-3608		
TOLERANCES UNLESS OTHERWISE SPECIFIED:	APVD M.WALMSLEY	30JUN05			
0 PLC ± -	PRODUCT SPEC	NAME LOCKWASHER, SPRING, M3 AMPLIMITE			
1 PLC ± -	-				
2 PLC ± -	APPLICATION SPEC	SIZE	CAGE CODE	DRAWING NO	RESTRICTED TO
3 PLC ± -	-	A4	00779	C-5750733	-
4 PLC ± -	WEIGHT	-			
ANGLES ± -	CUSTOMER DRAWING		SCALE	SHEET	REV
			4:1	1 OF 1	0